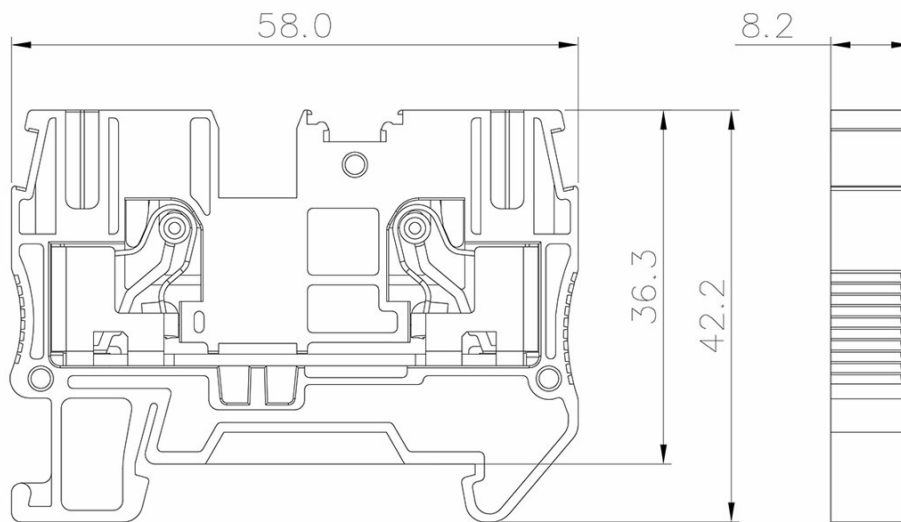


Type: Plug-in terminal-plug

Product name: TP6-2-GY

Description: 8.2mm , 1000V , 41A CE,UL

Product Picture



Basic Information

Product name	GP6-2-GY
Width	8.2mm
Number of levels	1
Number of connections	2
Connection method	Plug-in terminal-plug
Protection Level	IP20

Work temperature	-40~+105°C
------------------	------------

IEC/IEC Data

Rated Current	41A
---------------	-----

Rated Voltage	1000V
---------------	-------

Overvoltage category	III
----------------------	-----

Pollution degree	3
------------------	---

Rated impulse voltage	8KV
-----------------------	-----

Conductor cross section solid	0.5-10mm ²
-------------------------------	-----------------------

Conductor cross section flexible	0.5-6mm ²
----------------------------------	----------------------

Conductor cross section flexible,with furrule	0.5-6mm ²
---	----------------------

Stripping length	10-12mm
------------------	---------

UL/UL Data

Use group	B	C	D
-----------	---	---	---

Rated Current	40A	40A	-
---------------	-----	-----	---

Rated Voltage	600V	600V	
---------------	------	------	--

Rated cross section	20-8AWG		
---------------------	---------	--	--

Material Data

Insulation material	PA66
---------------------	------

Insulation material group	I
---------------------------	---

Flame retardant grade, UL94 compliance	V0
--	----

Contact material	Copper alloy
------------------	--------------

Surface characteristics	Sn,Plated
-------------------------	-----------
