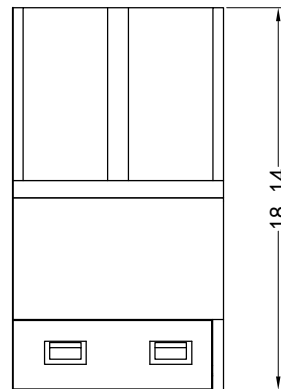
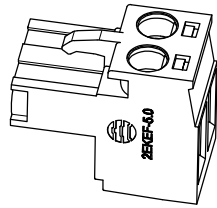
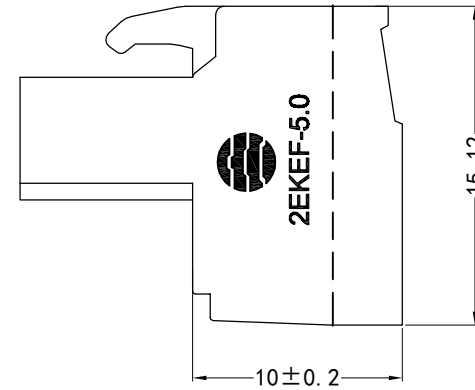
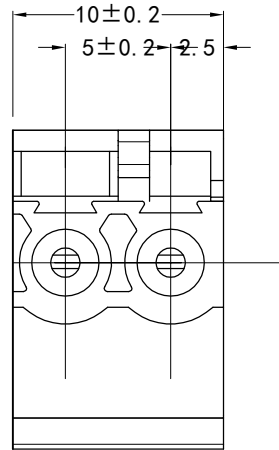
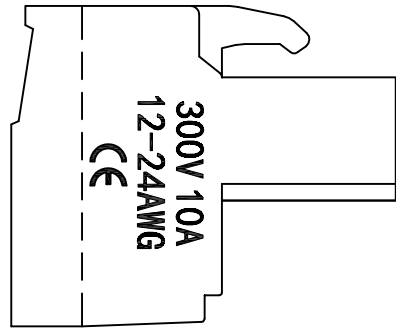


REV	CONTENT	CHK	DATE
V0.0	CONTENT	MYZ	22.10.12



UL 标准/UL Standard:	B	C	D
额定电压/电流/Rated Voltage(V)/Current(A)	300/10	/	300/10
IEC 标准/IEC Standard:			
过压类别/Overvoltage Category/污染等级/ Pollution Degree	III/3	III/2	II/2
额定电压/电流/Rated Voltage(V)/Current(A)	250/10	320/10	400/10
额定脉冲电压(KV)/Rate Impulse Voltage(KV)	4	4	4
使用温度范围/Operating temperature(°C)	-40~+105		
符合RoHS环保要求/Conform to RoHS	Yes		

ITEM	NAME OF PART		Q'TY	MATERIAL	
DWG.	MYZ	DATE	22.10.12	SIZE	A4 UNITS mm SHEET/OF 1 / 1
CHK.		DATE		SCALE	1:1
APP.		DATE		NAME	2EKEF-5. 0-02P
宁波三安电子科技有限公司 Sanan Electrical Technology Co. Ltd				DWGNO.	XXXX

Total Pitch Tolerances in mm										Nominal dimension range in mm										⊥	=	-	//		
over	over	over	over	over	over	over	over	over	over	over	over	over	over	over	over	over	over	over	over	0	over	0	over	over	over
0	30	53	70	90	115	150	250	350		0	30	53	70	90	115	150	200	250	320	0	10	0	100	100	150
±0.18	±0.20	±0.25	±0.3	±0.35	±0.44	±0.60	±0.70	±0.85	±0.20	±0.25	±0.30	±0.35	±0.44	±0.55	±0.70	±0.80	±0.90	0.2	0.3	0.3	0.2	0.3	0.5		